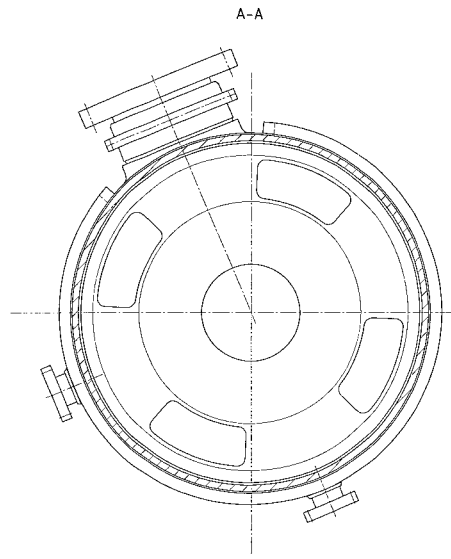
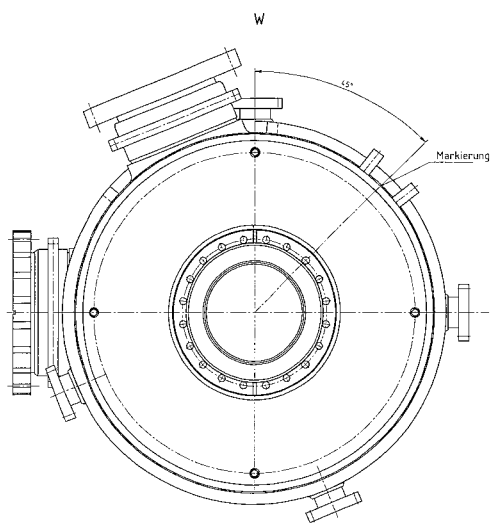
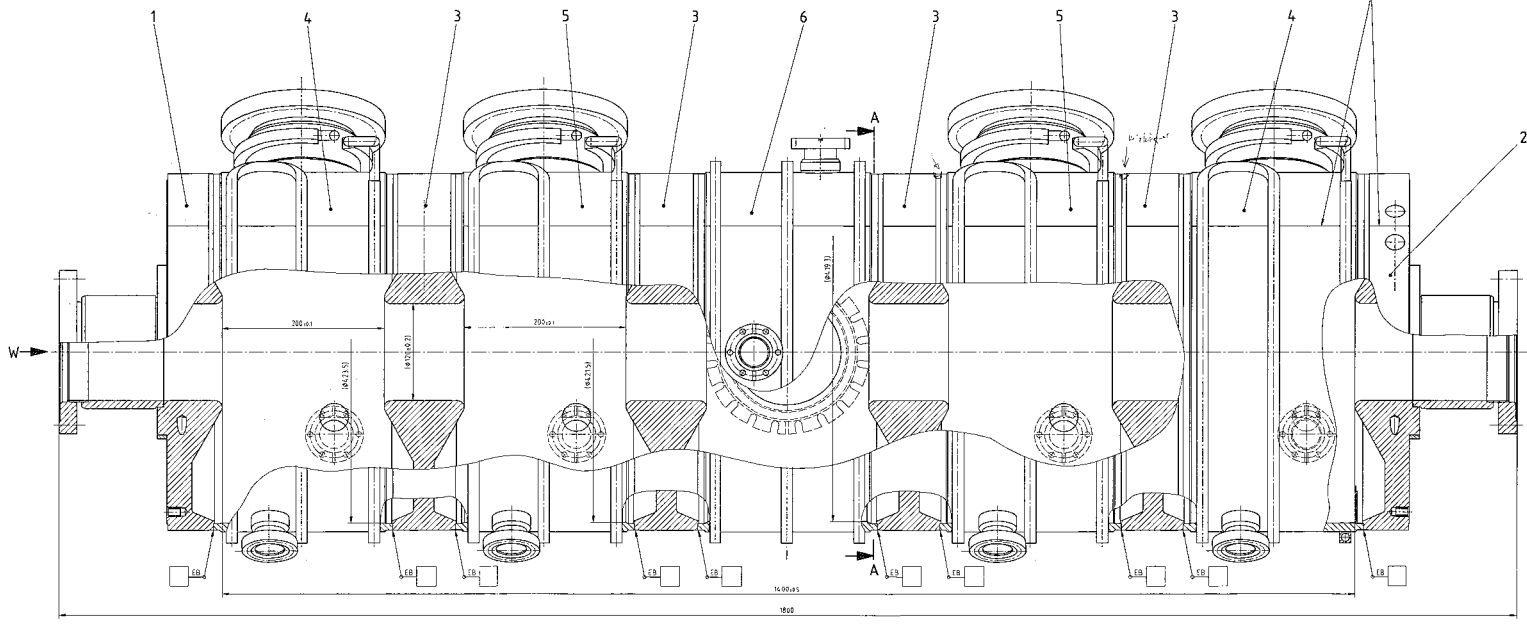


Pos.1-6 über die Markierung ausgerichtet.  
 Max. Verdrehung der einzelnen Positionen  
 zueinander, sowie Gesamtverdrehung =  $\pm 0,25^\circ$



-He-Lecktest, zul. Leckrate =  $2 \times 10^{-10}$  mbar L/s

Gewicht: 504 Kg

zugeh. Stck-Liste, Nr.0556-11.01.00

DESY 500 MHz CAVITY	
Cavity Zusammenbau 01.06.1997	
0556-11.01.01	
ACCEL Instruments GmbH Erding	

Copyright of this document, and the design it describes, are the property of ACCEL Instruments GmbH. No part of this document may be reproduced, stored in a retrieval system, or transmitted in any form or by any means, electronic, mechanical, photocopying, recording, or by any information storage and retrieval system, without the prior written permission of ACCEL Instruments GmbH. All rights reserved. 0556-11.01.01